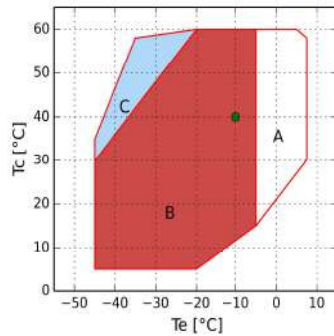




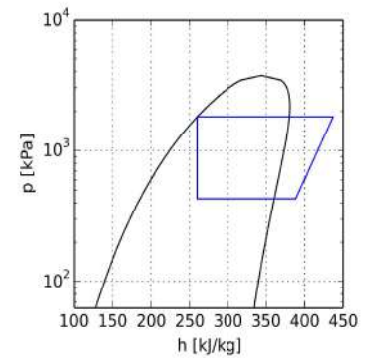
Calculation - H

Input

Model	H300CC
Refrigerant	R404A
Evaporating temperature	-10.0 °C
Condensing temperature	40.0 °C
Reference temperature	Dew temperature
Suction temperature	20.0 °C
Evaporator outlet temperature	20.0 °C
Liquid subcooling	0.0 K
Voltage / phases / frequency	380-420 V / 3 / 50 Hz
Capacity control system	100%



A = "CC" models only
 B = Standard application
 C = Head cooling fan or max superheating 20K
 • = Dew temperature



Performance calculation

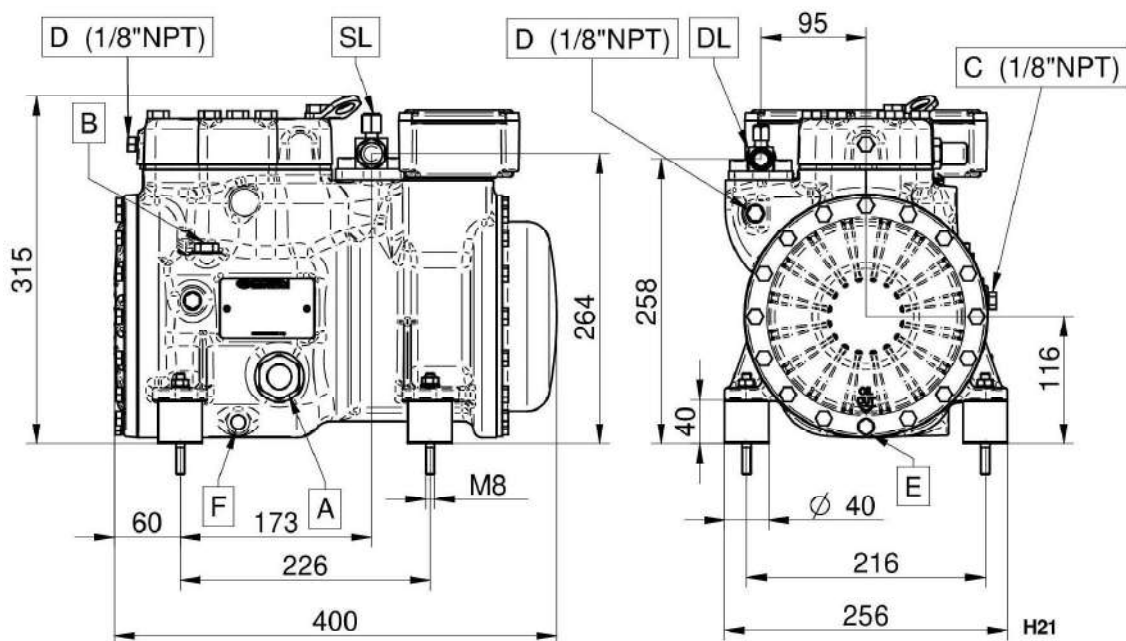
	Standard conditions	At evaporator	At compressor
Cooling capacity	8110 W	8110 W	8110 W
Absorbed power	3.31 kW	3.31 kW	3.31 kW
Condenser capacity	11.41 kW	11.41 kW	11.41 kW
COP	2.45	2.45	2.45
Mass flow	226.3 kg/h	226.3 kg/h	226.3 kg/h
Absorbed current	6.5 A	6.5 A	6.5 A
Discharge temperature	85.8 °C	85.8 °C	85.8 °C
Max operating current	9.4 A	9.4 A	9.4 A
Locked rotor current	43.5 A	43.5 A	43.5 A



Technical data

No. cylinders	2.0	
Bore	54.0	[mm]
Stroke	37.0	[mm]
Displacement @ 50 Hz	14.74	[m ³ /h]
Displacement @ 60 Hz	17.69	[m ³ /h]
Suction valve	22 s.	[mm]
Discharge valve	16 s.	[mm]
Oil charge	1.4	[L]
Net weight	54.0	[kg]

Overall dimensions [mm]



- A - Oil sight glass
- B - Oil charge plug
- C - Low pressure connection
- D - High pressure connection

- E - Oil drain plug
- F - Crankcase heater
- DL - Discharge service valve
- SL - Suction service valve



Configuration: Standard \ Optional

TK=Thermik protection	Standard
REL=Motor protection electronic module	Optional
CH=Crankcase heater	Optional
TCH=Self-regulated crankcase heater	Optional
BF=Head cooling fan	Optional
WH=Water cooled head	Optional
IP65=Electrical box IP65	Standard
UL=UL approved compressor	Optional
CB=CB approved compressor	Optional
For operation with HFC refrigerants the compressor must be ordered with POE OIL. For operation with HCFC refrigerant the compressor shall be ordered with mineral oil.	
HFC (POE 32) - HCFC (MIN 32)	Standard
For low temperature application external cooling must be provided.	
The DTC can decrease the duty by up to 10% depending upon pressure ratio, suction temperature and ambient temperature. Please contact our Technical Department for more informations.	
Motors suitable for operation at different voltage from those listed above may be supplied on request.	
220-240/3/50 (Δ) 380-420/3/50 (Y)	Standard
265-290/3/60 (Δ) 440-480/3/60 (Y)	Optional
475-525/3/50 570-630/3/60	Optional
200/3/50-60 (Δ)	Optional
208-230/3/60 (Δ) 360-400/3/60 (Y)	Optional