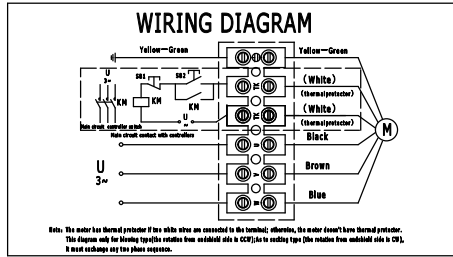


DRAWING NO

Wiring diagrams:

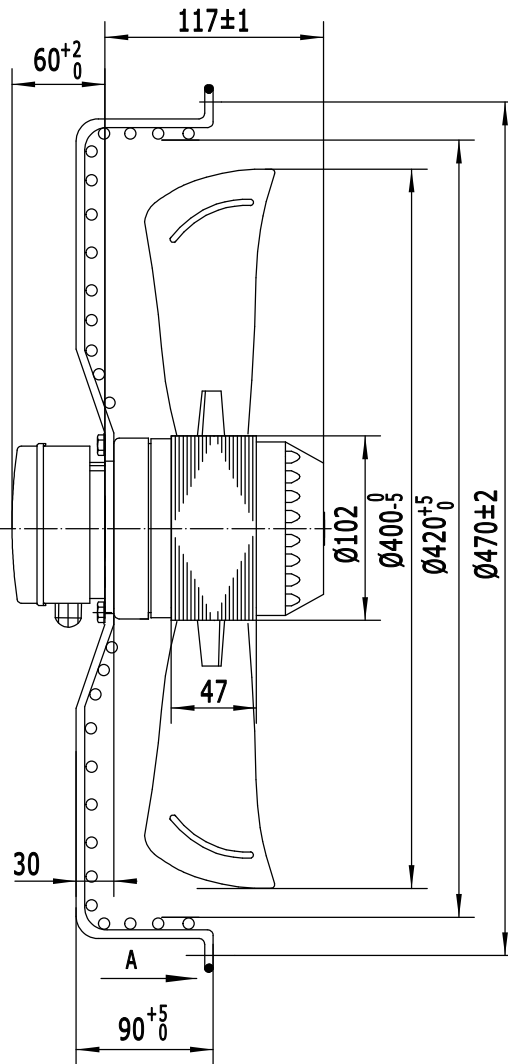
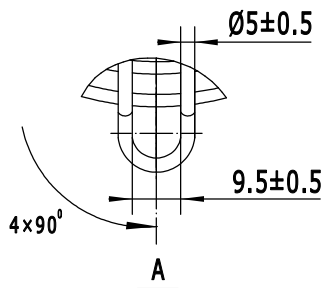


ErP2015 LABEL:

ErP2015 (N40)
 $N=44.23 \quad \eta_{statA} = 33.6\%$
 YWF4D-400S-P102/47

LABEL:

WEIGUANG Axial Fan Motor
 YWF4D-400S
 P102/47-G
 380V 50Hz 0.47A 110/180W
 1380r/min CL.B XX/XX



WEIGUANG Axial fan motor

HANGZHOU WEIGUANG ELECTRONIC CO.,LTD

Unit: axial fan motor

Type:

Motor: Three phases motor

Customer:

Motor type:YWF4D-400S-P102/47-G

Customer-type:

| TYPE | Voltage v | Frequency Hz | Input power W | Current A | Speed r/min +/-5% | Air volume m ³ /h | noise level dBA | capacitor μ F/ VDB |
|---------------------|--------------|-----------------|------------------|--------------|----------------------|---------------------------------|--------------------|-----------------------|
| YWF4D-400S-102/47-G | 380 | 50 | 180 | 0.47 | 1380 | 3880(20Pa) | 67 | / |

Insulation class : B

Operating type: S₁

Permissible ambient temperature : -30~60℃

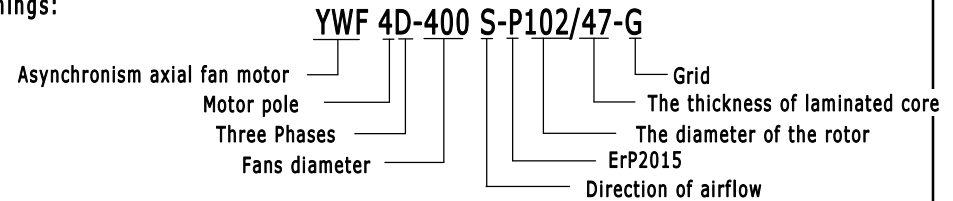
Temperature increase: $\Delta T \leq 75K$

Motor protection:thermocontact 135±5℃

Bearings: ball bearings

License: CE CCC

Model meanings:



Electrical connection:lead wire Silikon 6G 0.50mm² , Length 100mm in terminal box connected

Direction of rotation: clockwise(sucking), Airflow direction:"S" looking at rotor side

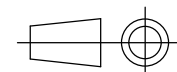
APPROX. WEIGHT

MEANS

| REV. | DESCRIPTION | APPROVED | DATE | DECIMAL | TOLERANCE | SIGN | DATE |
|------|-------------|----------|------|---------|-----------|---------|------|
| | | | | X | ±0.5 | DRN. BY | |
| | | | | X.X | ±0.25 | CHD. BY | |
| | | | | X.XX | ±0.15 | ENG. BY | |
| | | | | ANGLE | ±3° | APP. BY | |

TITLE
YWF4D-400S-P102/47-G

PROJECTION



A4
 SCALE
 SHEET: of